



嘉和

OHA高效智能泵

OHA High Efficiency Intelligent Pump

昆明嘉和科技股份有限公司

KUNMING JIAHE SCIENCE & TECHNOLOGY CO.,LTD



企业介绍

COMPANY OVERVIEW

昆明嘉和科技股份有限公司总部位于中国（云南）自由贸易试验区，是国内先进的特种工业泵系统解决方案提供商，国家级专精特新小巨人企业、国家高新技术企业、工信部服务型制造示范项目和工业互联网试点示范项目企业，深耕特泵行业近 30 年，服务石油化工、煤化工、精细化工、硫磷化工、有色冶炼等领域，为客户提供具有国内领先水平的高端泵类装备。

公司以做中国最优秀的特泵提供商为主体，工业服务整体解决方案和工业节能整体解决方案为两翼，形成定制化高效智能泵、智慧节能和智慧运维三大核心业务板块。公司结合全球高端泵领先技术，不断优化产品结构，提升产品品质，在实现“以国代进”的同时，与欧洲、北美洲、南美洲、非洲、南亚、东南亚等 30 多个国家及地区建立良好的合作关系。公司始终践行“以卓越的技术和服务参与建设更美好的世界”的使命，创建祥和、共赢的百年嘉和！

Kunming Jiahe Science & Technology Co.,Ltd. headquartered in China (Yunnan) Pilot Free Trade Zone, is an advanced solution provider for special industrial pump systems in China, a National specialized and New Small Giant Enterprise, a National High-tech Enterprise, a service-oriented manufacturing demonstration project of the Ministry of Industry and Information Technology and a pilot demonstration project of Industrial Internet. It has been deeply involved in the special pump industry for nearly 30 years, serving petrochemical, coal chemical, fine chemical, sulfur and phosphorus chemical, non-ferrous smelting, provide customers with domestically leading high-end pump equipment.

The company focuses on being the most excellent pump provider in China, with integrated industrial service solutions and integrated industrial energy conservation solutions as its two wings, forming three core business segments: customized efficient intelligent pumps, intelligent energy conservation, and intelligent operation and maintenance. Combining the leading technology of global high-end pumps, the company continuously optimizes its product structure and improves product quality. While realizing the goal of "Replacing imports with domestic products", it has established good cooperative relationships with more than 30 countries and regions in Europe, North America, South America, Africa, South Asia, and Southeast Asia. We always practice the mission of "Participating in Building a Better World with Excellent Technology and Service", and create a harmonious and win-win century of Jiahe!





产品概述

PRODUCT OVERVIEW

为深入贯彻落实国家“碳达峰、碳中和”发展战略，公司吸收用户及行业专家在石油化工、炼油及天然气、化工等输送行业的应用经验，以工业互联网赋能设备管理和节能减碳，应用西门子研发软件，联合浙江理工大学等高校进行 CFD 流体分析仿真，采用三元流设计流体输送技术、智能传感技术研发 OHA 中心线安装单级悬臂流程泵，执行 API 610 标准，为用户实现以下价值：

In order to further implement the national development strategy of "carbon peak, carbon neutral", the company absorbs the application experience of users and industry experts in petrochemical, refining and natural gas, chemical and other transport industries, and empowers equipment management and energy saving and carbon reduction with industrial internet, applying Siemens R&D software and CFD fluid analysis and simulation in conjunction with Zhejiang Sci-Tech University and other universities. Analysis and simulation, the use of ternary flow design fluid transfer technology, intelligent sensing technology to develop OHA centerline installation single-stage cantilever process pump, the implementation of API 610 standard, to achieve the following value for users:

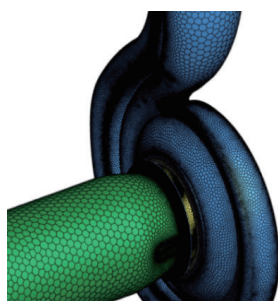
1) 高效节能

利用新设计理念，进行节能技术开发，结构优化，材质提升，全新制造工艺保证产品的高效性，相比同等流量扬程产品，在现有装置节电率至少是 10% 以上，部分可达到 50%。

Energy Efficient

The use of new design concepts, energy-saving technology development, structural optimization, material upgrading of new manufacturing processes to ensure the efficiency of the product, compared with the same flow head products, in the existing device power saving rate is at least 10%, part of up to 50%.

定制化水力设计、CFD 仿真分析、精密铸造确保高效率
Customized hydraulic design, CFD simulation analysis, precision casting to ensure high efficiency



CFD 水力模型及网格划分

CFD hydraulic model and grid generation



速度云图

Velocity contour



过流部件精密铸造

Precision casting of overflow parts



2) 智能化升级，长周期运行

配备智能无线传感器，通过智能无线传感技术，对设备运行数据集成、建模分析，利用物联网和云计算等大数据技术应用，掌握设备运行健康状况，实现在线监测，智能预警，精准诊断，为客户提供设备预知性维护解决方案，降低设备运维成本、降低设备运行非计划停机损失，延长轴承寿命，实现产品智能化升级，保障设备长周期运行。

Intelligent upgrade and long cycle operation

Equipped with intelligent wireless sensors, intelligent wireless sensor technology is used to integrate, model, and analyze equipment operation data, and use big data technology applications such as the Internet of Things and cloud computing to master the health status of equipment operation, achieve online monitoring, intelligent early warning, and accurate diagnosis. It provides customers with equipment predictive maintenance solutions, reduces equipment operation and maintenance costs, reduces unplanned downtime losses during equipment operation, extends bearing life, and achieve intelligent product upgrade to ensure longer cycle operation of equipment.



无线采集

Wireless acquisition



多平台互联监测

Multi-platform interconnection monitoring



3) 可靠性

低轴挠度指数，符合 API 610 11th

中心支撑加强设计、泵盖强化设计

Reliability

Low shaft deflection index in accordance with API 610 11th.

Center support reinforced design, pump cover reinforcement design.

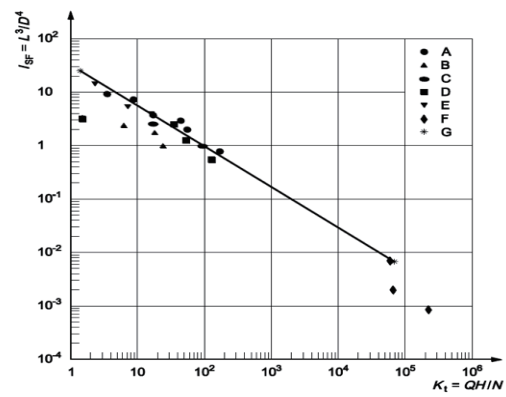
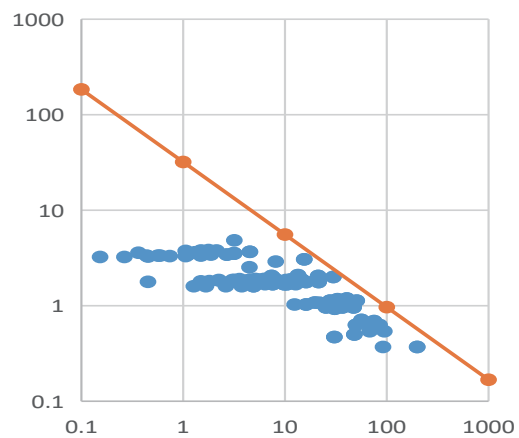
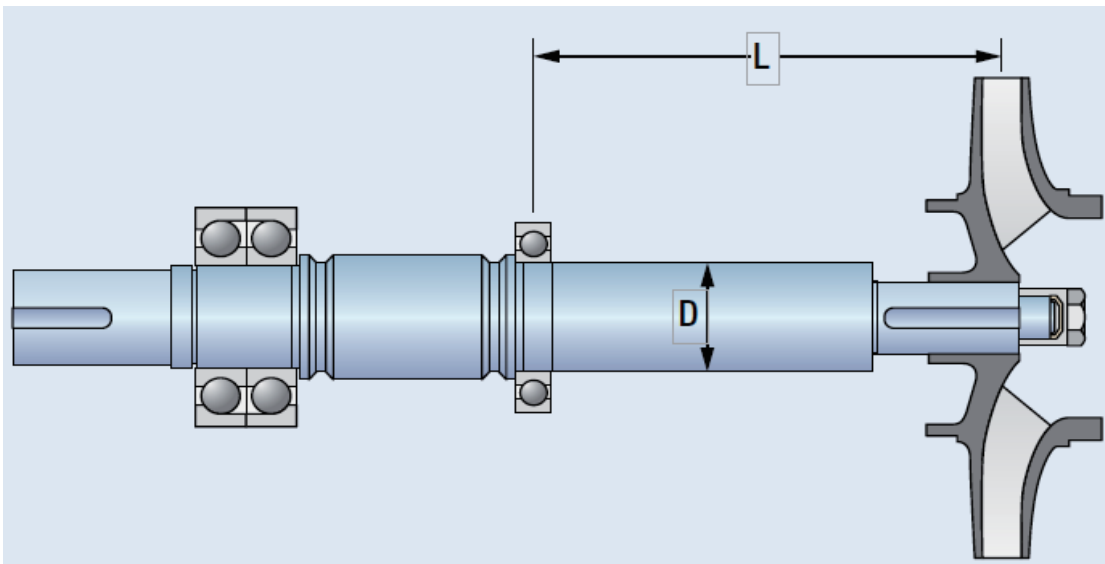


Figure K.2 — Overhung pump shaft flexibility index versus size factor (SI units)

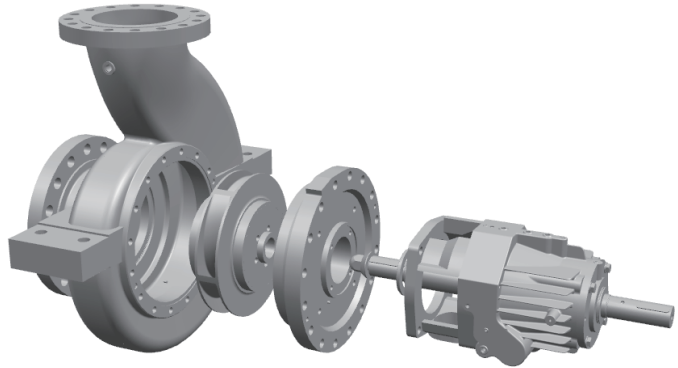


4) 高度模块集成设计

全系列共 5 个规格轴承箱，预留多种仪表接口，密封腔体满足《重载离心泵轴径尺寸》SPTS-RE04-T001 标准 A 系，《重载离心泵用机械密封压盖及密封接口方位及尺寸》SPTS-RE04-T002，法兰标准按 5.0MPa 设计，可按用户需求定制。

Highly integrated modular design

There are 5 bearing boxes in the whole series, and many kinds of instrumentation interfaces are reserved. The seal cavity meets the standard A series of "Heavy Load Centrifugal Pump Shaft Diameter Size" SPTS-RE04-T001, and the orientation and size of mechanical seal gland and seal interface for heavy load centrifugal pump" SPTS-RE04-T002, and the flange standard is designed according to 5.0MPa, and can be customized according to customer's demand.



5) 性能范围 PERFORMANCE RANGE

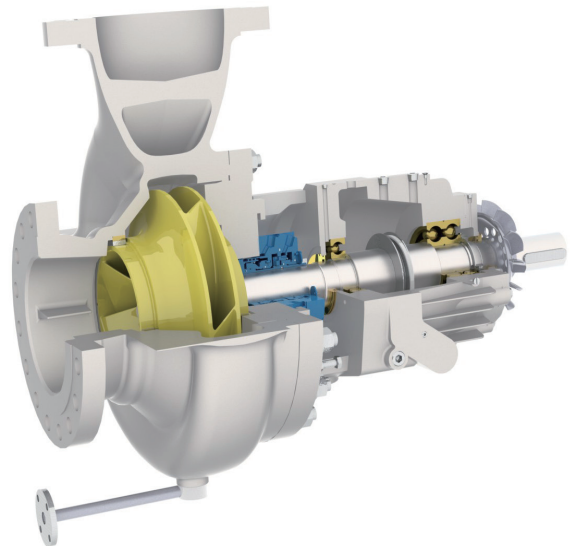
口径 (Diameter) : 25 ~ 400mm

流量 (Flow) : ~ 2600m³/h

扬程 (Heads) : ~ 300m

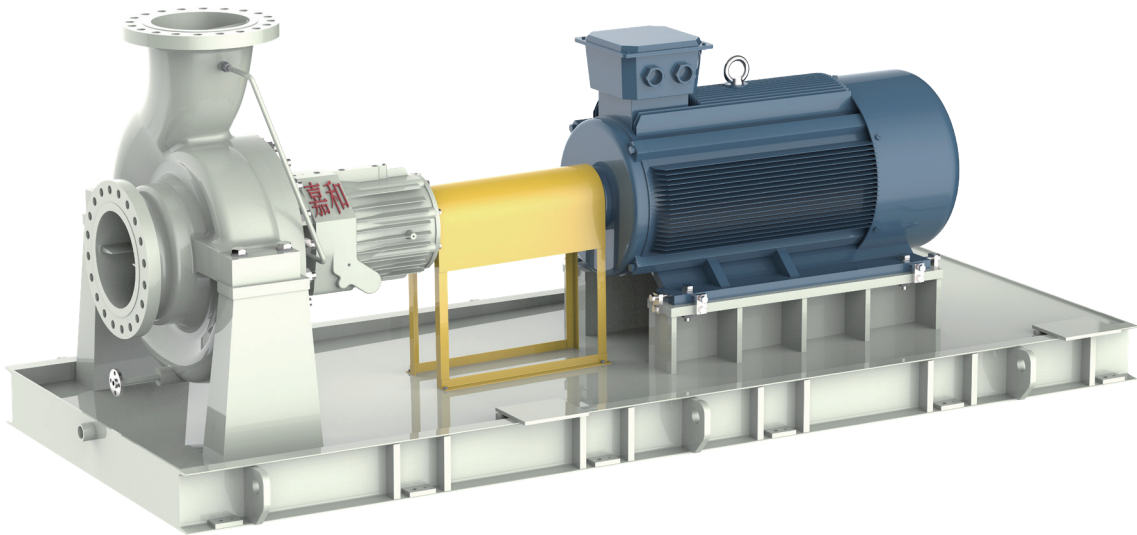
压力 (Pressure) : ~ 5.0MPa

温度 (Temperature) : -80°C ~ 450°C





6) 型号说明 MODEL DESCRIPTION



OHA 250 × 300 × 480

叶轮名义直径 (mm)
Impeller nominal diameter (mm)

进口口径 (mm)
Inlet diameter (mm)

出口口径 (mm)
Outlet diameter (mm)

中心线安装单级悬臂流程泵
Centerline mounted single-stage
cantilever process pumps



嘉和

以卓越的技术和服务参与建设更美好的世界

Participate in Building a Better World with Excellent Technology and Service

地址：中国（云南）自由贸易试验区昆明片区拓翔路 208 号
No. 208 Tuoxiang Road, Economic Development Zone, Kunming Area,
China (Yunnan) Pilot Free Trade Zone
Http://www.jhpumps.com
电话 Tel: 0871-6741 3111/6563 8866

E-mail:jhjt@jhpumps.com
邮编 P.C:650501

